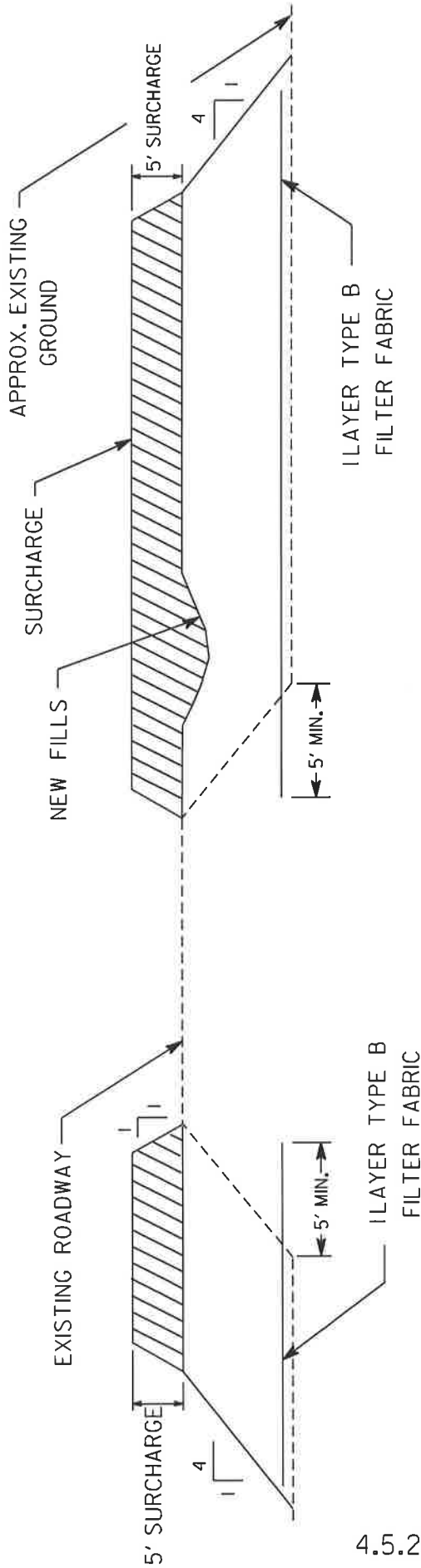


EDS-84(14) , LONG-LIBERTY

U.S. 84 / S.R. 38 WIDENING



4.5.22

NOTES:

1. DETAIL APPLIES FROM STATION 426+50± TO 442+28±, L.T. AND RT.
2. BENCH 1 LAYER OF TYPE B FILTER FABRIC A MINIMUM OF 5 FEET INTO EXISTING FILL AS SHOWN.
3. THE SURCHARGE MATERIAL SHALL MEET THE REQUIREMENTS FOR EMBANKMENT MATERIAL AS PER SUBSECTION 208.02 OF THE STANDARD SPECIFICATIONS. COMPACT THE FIRST 2 FEET OF THE SURCHARGE TO THE REQUIREMENTS OF SUBSECTION 208.03, B.2.C. THE 5 FOOT SURCHARGE SHALL REMAIN IN PLACE FOR 180 DAYS, AFTER WHICH IT MAY BE USED ELSEWHERE ON THE PROJECT.
4. PLACE SETTLEMENT POINTS AT MINIMUM 200-FOOT INTERVALS ON THE SURCHARGE AND SURVEY EVERY 30 DAYS TO MONITOR THE RATE OF SETTLEMENT. PROVIDE A COPY OF THE READINGS TO THE ENGINEER.

FABRIC AND SURCHARGE DETAIL

NO SCALE